

A World Leader in POS Systems

Find out why the Vectron intelligent point of sale solution is the POS of choice restaurants around the world



WHY VECTRON POS TOUCH 14 WIDE ?

Powerful

Vectron offers you all the features you want to run a Table Service, a Counter Service or a Fast Food restaurant! You even have more with built-in Script Language.

Stand Alone Secure Solution

As a single hardware and software stand-alone solution, the Vectron POS has no operating system, which means you can feel confident that your solution is secure from any malicious third-party software attacks over the lifetime of the product.

Cost Effective

With over 25 years of global experience in the restaurant POS industry, Vectron remains a leader in the delivery of cost effective and price competitive POS solutions.



- ✓ SPECIALLY DESIGNED FOR RESTAURANTS, FAST FOOD, COUNTER SERVICE DUSTPROOF / WATERPROOF
- ✓ EMBEDDED HARDWARE / SOFTWARE
- ✓ WORK STAND ALONE OR NETWORKED
- ✓ LONGER LIFESPAN, TROUBLE FREE
- ✓ EASY TO PROGRAM, EASY TO USE
- ✓ OPTIONAL MOBILE APP FOR ORDER TAKING / BACK OFFICE FOR MULTISTORE / REALTIME ONLINE REPORTING

PRODUCTS



Our software is not only unique in design, but also appropriate in any atmosphere. Whether one needs to supplement retail shops, restaurants, boutiques, or hairdresser shops, our POS Touch 14 Wide is suitable for a multitude of different environments. The scratchproof Vectron Pos Touch 14 Wide Hardware gives users the ability to view multiple functions without the need to scroll, allowing for a more efficient POS system.



VCOMMANDER - BACK OFFICE SW

With Vectron Control, you establish the connection between your Vectron POS system and your Windows PC quickly and easily. The back-office software offers numerous possibilities, from data access to central POS programming and useful control functions. Optimizing your placement planning and analyzing department and PLU reports is made significantly easier.



VECTRON MOBILE APP

The mobile order taking app is an exciting new application from Vectron. The staff can make sure that guests are served quickly and that errors can be reduced. The application can offer extra convenience when it comes to using the system wirelessly. It works on any type of iOS or Android device and over W LAN without any type of Internet connection. Using the Mobile App is intuitive for anyone and it can be done in a secure and quick manner.



MY VECTRON ONLINE REPORT APP

Business in your pocket! Use your smartphone or tablet via our app to analyze the performance data of your business online. In addition to compare your company's performance with historical data, you can also use reports to comprehend certain values within your company. Handling, managing and improving your business is made much easier with the use of the My Vectron App.

DATA SHEET Vectron POS Touch 14 Wide

Hardware

Technical data of the Vectron POS Touch 14 Wide POS system	
Display diagonal	14.1" inches (35.81 cm)
Display type	TFT-LCD
Display lighting	LED backlight
Display size (active)	12.15 x 6.82 inches
Display resolution	1366 x 768 Pixel
Colours	up to 262,144
Input	Touch screen (projective-capacitive)
Housing	black ABS plastic housing
Processor	i.MX 6DualLite, 1GHz
Main memory	1 GB DDR3
Mass storage	8 GB eMMC
Network	10/100/1000 Base-T; Ethernet The use of the Vectron MobileApp as mobile order terminal requires additional licences. Maximum number of supported MobileApp devices per network: 5
USB ports	4x USB 2.0; port type A
Serial ports	4x RS232; port type RJ45; for external devices
Cash drawer ports	RJ12-port for connection of a cash drawer
MicroSD card slot	for MicroSD cards
SIM-card slot	for standard Mini-SIM cards (25 x 15 mm)
Power supply	via external power supply; installation in stand possible
Micro-USB slot	for service purposes
Power consumption	13 W maximum 11 W in normal mode without external appliances 0.4 W in standby mode
Temperature	storage: -4 to 140 °F operation: 32 to 95 °F
Dimensions (W x H x D)	see drawings
Weight	ca. 11.24 pounds
Certified	CE, FCC Class A

Technical data of the power supply POS Touch 14 Wide	
Input voltage	100 to 240 V alternating voltage
Output voltage	+ 24 V direct voltage
Output current	max. 3.75 A
Output power	max. 90 W
Power consumption	max. 93 W
No-load loss	0.3 to 0.5 W
Temperature	storage: -4 to 176 °F operation: 32 to 104 °F
Air humidity	operation: 20 to 80 %, non condensing
Dimensions (W x H x D)	5.51 x 2.56 x 1.0 inches
Weight	0.793 pounds
Certified	CE, UL 60950-1

DATA SHEET Vectron POS Touch 14 Wide

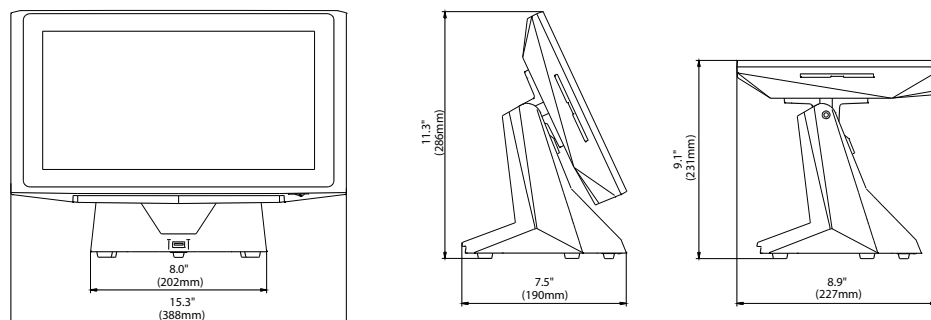
Software

Hospitality Version	
Most important functions	Clearly arranged function keys, to be allocated by operator group
	Orders on guest check
	Automatic side dish enquiry
	Happy hour prices
	Different price levels
	Various discounts
	Table split
Options	Adjustable operator rights
	Reporting
	Backup function
	Vcommander Back Office SW
	Vectron Mobile App My Vectron Online Report App

Scope of delivery

Vectron POS Touch 14 Wide	
Standard shipment	Vectron POS Touch 14 Wide system
	Power supply unit
	iButton reader w 4 keys
	Main cables
	Vectron POS software with licence
	Security and installation instructions
Optional accessories	Dispatch box
	Customer display POS Touch 14 Wide

Dimensions (in mm and inch)



VECTRON

Vectron America Inc
A subsidiary of Vectron

info@vectronamerica.com
1-800-287-6087
www.vectronamerica.com

YOUR AUTHORISED VECTRON DEALER